



R-ASRLED Auto-Voltage Remotes



PROJECT: _____
 FIXTURE TYPE: _____
 LOCATION: _____
 CONTACT/PHONE: _____

White



R-ASRLED-1-WP-W



R-ASRLED-2-WP-W

Gray



R-ASRLED-1-WP-GR



R-ASRLED-2-WP-GR

Black



R-ASRLED-1-WP-BL



R-ASRLED-2-WP-BL

PRODUCT DESCRIPTION

R-ASRLED-1-WP Series remote lamp heads combine the efficiency and reliability of LED illumination with rugged construction suitable for wet locations.

WARRANTY

Any component that fails due to manufacturers defect is guaranteed for 3 years. The warranty does not cover physical damage, abuse or acts of God. See the full warranty document for detailed information.

CONFORMANCE TO CODES & STANDARDS

The R-ASRLED-1-WP Series is UL listed and meets or exceeds the following: UL 924.

FEATURES

- 3 - 12VDC input
- Uses only 1 watt per lamp head
- Each lamp head contains 15 long lasting, efficient, ultra-bright white LEDs
- Rugged, injection-molded UL94 ABS flame retardant, high-temperature thermoplastic housing
- Low cost - easy installation
- Single and double head configurations available
- UL listed for wet locations
- For use with standard 4" j-box (Provided by others)
- Standard finishes: Gray or Black

ORDERING INFORMATION

Models	Finish
R-ASRLED-1-WP (Single Head)	GR= Gray
R-ASRLED-2-WP (Double Head)	BL= Black
	W= White

EXAMPLE: R-ASRLED-1-WP-GR



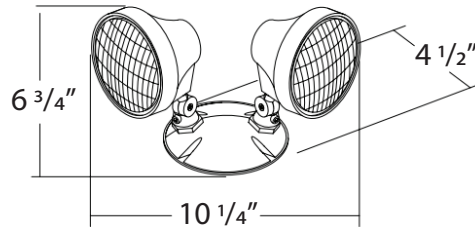
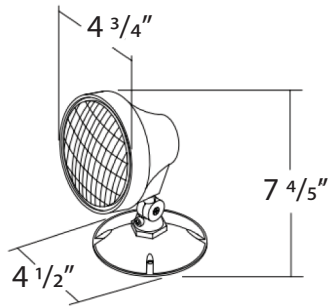


R-ASRLED Auto-Voltage Remotes



PROJECT: _____
 FIXTURE TYPE: _____
 LOCATION: _____
 CONTACT/PHONE: _____

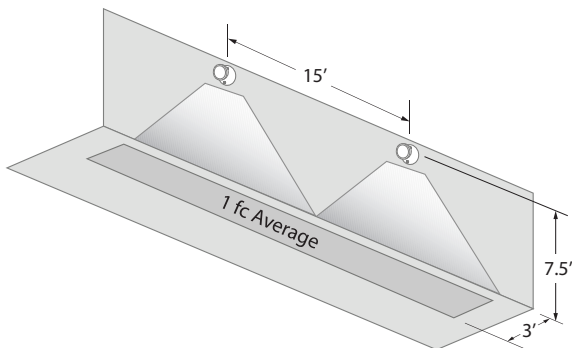
DIMENSIONS



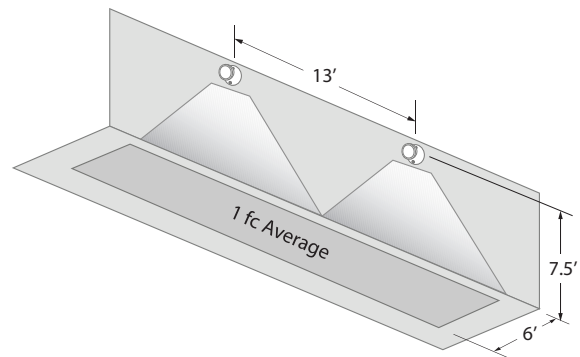
SAMPLE PHOTOMETRICS

R-ASR-LED-1

3ft Path Spacing

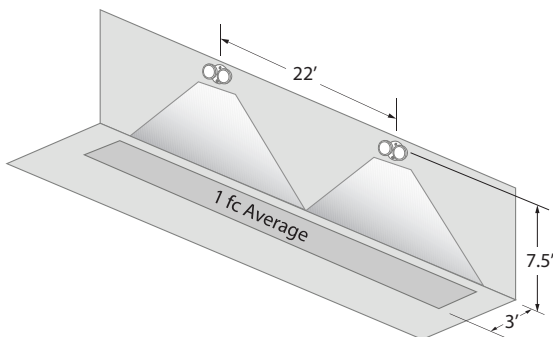


6ft Path Spacing



R-ASR-LED-2

3ft Path Spacing



6ft Path Spacing

