

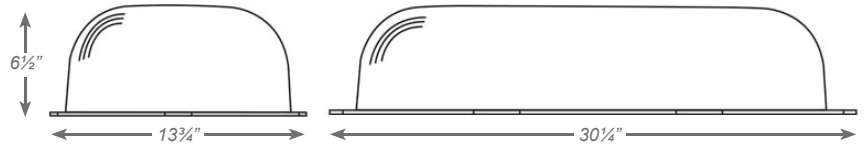


HOUSING MOUNTING

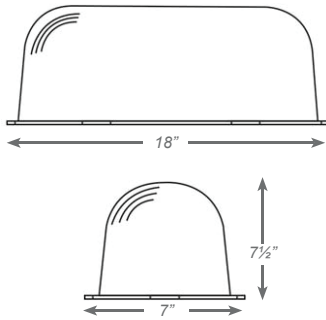
- High-impact resistant polycarbonate material.
- Mounting hardware provided for easy installation in the field.



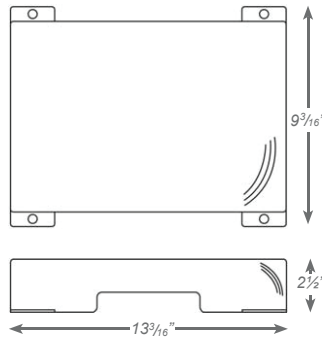
BG-3C



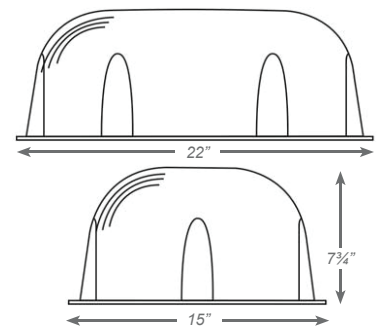
BGR-1



PCS-1



BG-1



ORDERING INFORMATION

MODEL	USE WITH	DIMENSIONS
PCS-1	AL, MX, MD, ARS, ESTAR	2 1/2" x 9-3/16" x 13 3/16"
BG-1	CEU, MDC, AL, CWL, MAKO, CEL, MX, MXREM, MD, SQC, WLEM, MRX, ESTAR, WLMX	7 3/4" x 22" x 15"
BGR-1	E-1, EM80, SQ-80, SQ-120, MRD, MRDR, MRDWL	7 1/2" x 18" x 7"
BG-3C	SQRXU, SQGXU	13 3/4" x 30 1/4" x 6 1/2"