



The NY-PVTU Series

NYC APPROVED TRULY UNIVERSAL LED EDGE-LIT EXIT



PROJECT: _____
 FIXTURE TYPE: _____
 LOCATION: _____
 CONTACT/PHONE: _____

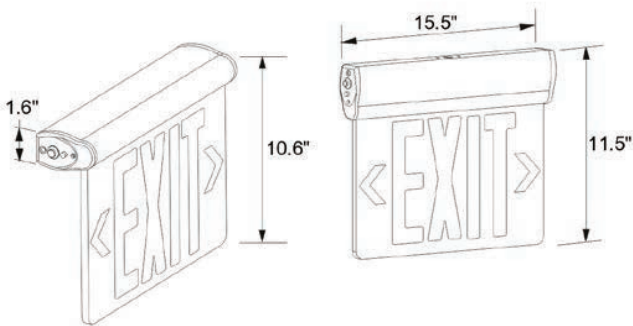


EVERYTHING NEEDED IS IN THE BOX

FEATURES

- Meets City of New York Emergency Code requirements
- Pivoting design for simple installation, including wall, ceiling, sloped ceiling or recessed mounting in single or double-face configurations
- Truly universal includes:
 - Single-face clear panel
 - Double-face mirror panels
 - Surface mount canopy
 - Back box and hanger bars for recessed mounting
- Extruded aluminum housing with acrylic panel
- Tool-less panel installation with "snap-in" design
- Low voltage disconnect eliminates deep discharge
- Brownout, short circuit and voltage surge protection
- Constant, uniform illumination by long-life, high-intensity red LEDs
- Fully-illuminated 8" characters with 1" stroke
- Field-selectable directional chevrons included for all configurations
- 120/277VAC Dual primary, 60Hz input
- Standard finish: Brushed Aluminum or White
- Suitable for Damp Locations
- UL Listed 90 minute emergency run time, 24 hour recharge time

DIMENSIONS



WARRANTY

Any component that fails due to manufacturer's defect is guaranteed for five years with a separate five year pro-rated warranty on the battery. The warranty does not cover physical damage, abuse or instances of uncontrollable natural forces. See the full Mule Lighting warranty document for detailed information.



ORDERING INFORMATION

| Series | Power Source | Mounting | Finish |
|---|------------------|-------------------------------------|-------------------------------------|
| NY-PVTU = New York Edge-Lit Exit w/ Single face & Double face Panels | B = With Battery | U = Universal Surface & Recessed | BA = Brushed Aluminum WH = White |

EXAMPLE: NY-PVTU-B-U-WH



The NY-PVTU Series

NYC APPROVED TRULY UNIVERSAL LED EDGE-LIT EXIT



PROJECT: _____
FIXTURE TYPE: _____
LOCATION: _____
CONTACT/PHONE: _____

CONSTRUCTION

Housing

Available in a Brushed Aluminum and powder coated White finish.

Surface Mounting

Aluminum extrusion with mounting canopy.

Recessed Mounting

Extruded aluminum housing and trim plate supplied with galvanized steel adjustable bar hanger assembly.

Panels

Constructed of clear acrylic. Universal kit includes a mirror panel with red lettering for double-face application and a clear panel with red lettering for single-face applications. Universal chevrons are field removable.

Illumination

High-output red LEDs provide superior brightness. Energy consumption of less than 3 Watts for AC only or less than 5 Watts for battery backup units. LEDs are a maintenance-free solution, providing up to 100,000 hours of use without failure.

ELECTRICAL

Input

Dual-voltage input 120/277VAC at 60Hz.

Nickel Cadmium Battery – NiCad (With Battery Only)

Mule Lighting NiCad batteries are maintenance-free and continue to perform in a vast temperature range from 0°C to 40°C (32°F to 104°F).

Emergency

The NY-PVTU Series exit will operate for a minimum of 90 minutes during a loss of power with a 24 hour maximum recharge time for the battery.

Low Voltage Disconnect (LVD)

The LVD continuously monitors the battery terminal voltage and if it should fall below a preset voltage threshold, the LVD will disconnect the load. When the battery is recharging and voltage is raised above another preset voltage threshold, the load is automatically reconnected.

Damp Location Rated

Damp Location Rated fixture that is normally or periodically subject to condensation of moisture in, on or adjacent to, and includes partially protected locations.

Test Button

The test button is easy to locate and provides manual verification of the transfer circuit and emergency lamps.

INSTALLATION

Surface Mounting

Completely universal canopy includes end or ceiling mounting. All hardware is included.

Recessed Mounting

Recessed ceiling and recessed wall mount includes trim plate and hanger bars for grid install. Electronics and battery contained in housing. Plug-in battery connector supplied for easy installation. All hardware is included.

CONFORMANCE TO CODES AND STANDARDS

The NY-PVTU Series is UL 924 Listed for Damp Locations and meets or exceeds the following: NFPA 101 and NEC requirements.